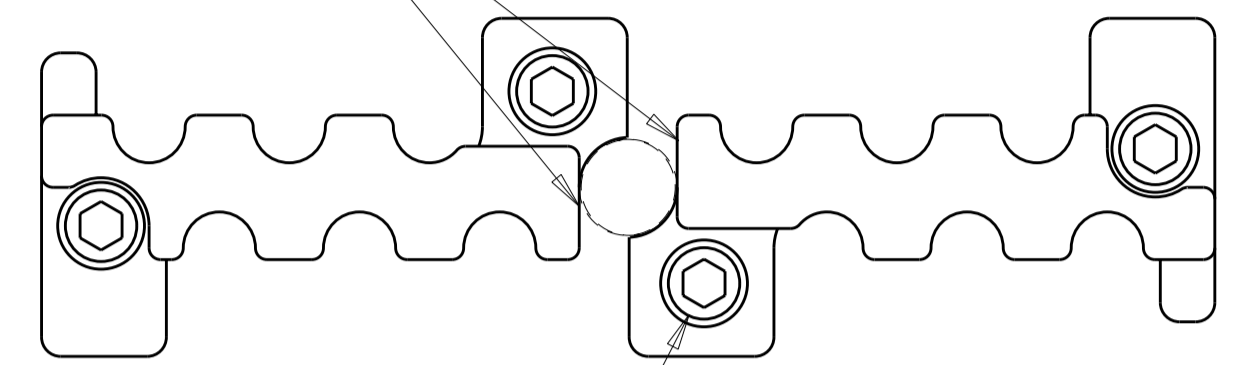


THIS DRAWING IS UNPUBLISHED. RELEASED FOR PUBLICATION 20
 © COPYRIGHT 20 BY TYCO ELECTRONICS CORPORATION. ALL RIGHTS RESERVED.

LOC	DIST	REVISIONS			
P	LTR	DESCRIPTION	DATE	DWN	APVD
	A	RELEASE	03OCT2007	CT	DM
	B	REVISED	24OCT2007	CT	DM

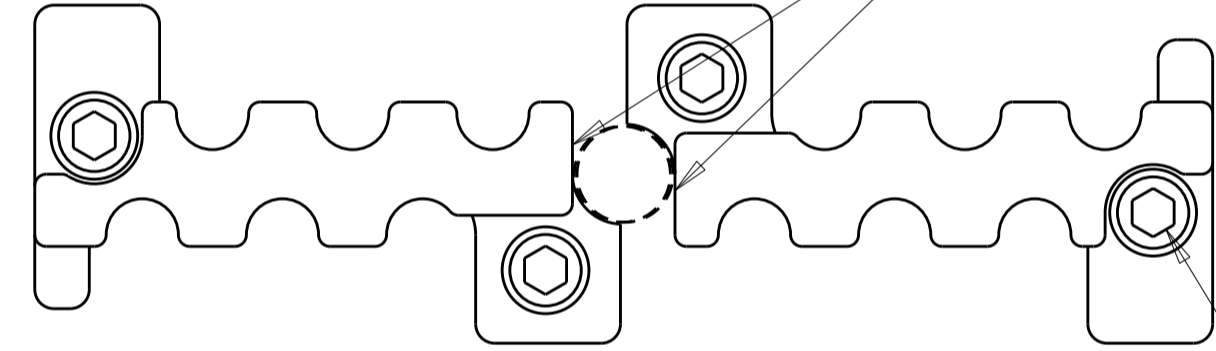
TE LOGO, DATE CODE AND EITHER CUSTOMER OR TE PART NO., PER TABLE, MARKED ON THIS SURFACE.



1996319-1 & -3 KIT

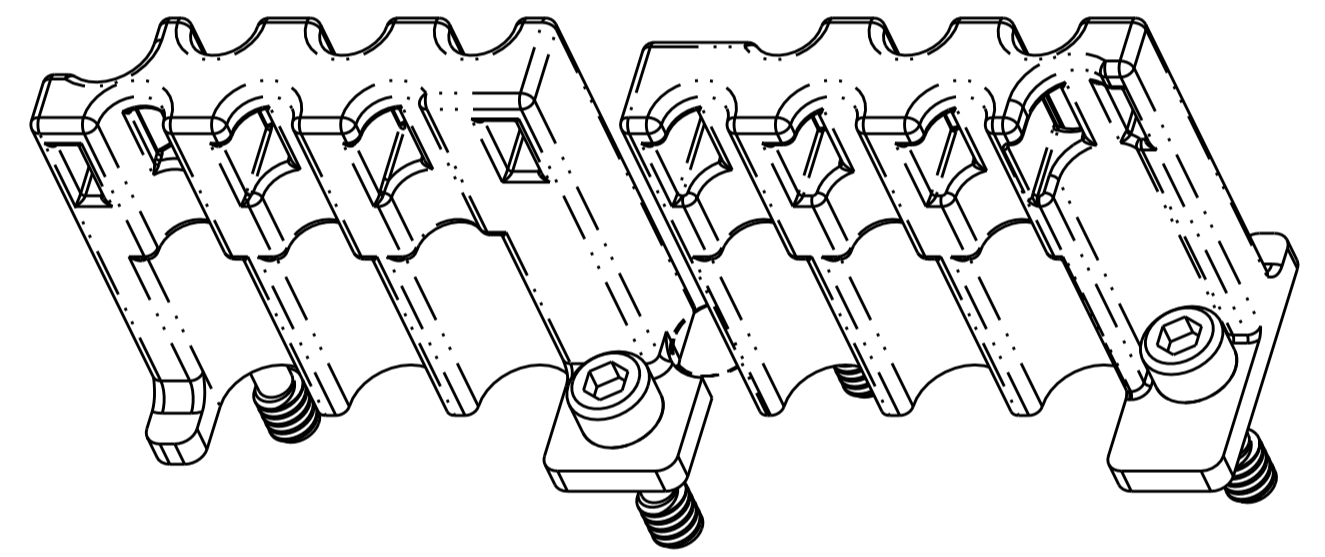
#6-32 X .50 LONG CAPTIVE SCREW; 4 PLC
 MAT'L: STAINLESS STEEL

TE LOGO, DATE CODE AND EITHER CUSTOMER OR TE PART NO. (PER TABLE) MARKED ON THIS SURFACE



1996319-2 & -4 KIT

#6-32 X .50 LG CAPTIVE SCREW; 2 PLC
 MAT'L: STAINLESS STEEL



REF VIEW

1 APPLY BACKSHELL KIT TO CONNECTOR IN ACCORDANCE WITH 114-13123 EXCEPT APPLY SILICON TAPE AROUND EACH DISCRETE CABLE WHERE IT MAY COME IN CONTACT WITH THE BACKSHELL.

2 BACKSHELL MATERIAL: ALUMINUM ALLOY 6061-T6.

3 BACKSHELL FINISH: BLACK ANODIZE, HARD ANODIZE COAT, .00150-.00200 THK PER MIL-A-8625, TYPE III, CLASS 2.

BACC10MC1	---	PLUG 1604800	1996319-4
BACC10MC2	---	RECEPTACLE 1604799	1996319-3
---	1996319-2	PLUG 1604800	1996319-2
---	1996319-1	RECEPTACLE 1604799	1996319-1
BOEING PART NUMBER	TE PART NUMBER	USED ON	PART NO.

<small>THIS DRAWING IS A CONTROLLED DOCUMENT FOR TYCO ELECTRONICS CORPORATION. IT IS SUBJECT TO CHANGE AND THE CONTROLLING ENGINEERING ORGANIZATION SHOULD BE CONTACTED FOR THE LATEST REVISION.</small>		DWN C.C. THOMAS 10-3-07 CHK D. MILLER 10-3-07 APVD D. MILLER 10-3-07	Tyco Electronics Tyco Electronics Harrisburg, PA 17105-3608
DIMENSIONS: INCHES 	TOLERANCES UNLESS OTHERWISE SPECIFIED: 0 PLC ±. 1 PLC ±. 2 PLC ±. 3 PLC ±. 4 PLC ±. ANGLES ±. FINISH 3	PRODUCT SPEC APPLICATION SPEC 114-13123 1	NAME KIT, BACKSHELL, QUADRAx, 12 POSITION SIZE CAGE CODE DRAWING NO A200779C-1996319 RESTRICTED TO
MATERIAL 2		WEIGHT	SCALE 2.1 SHEET 1 OF 1 REV B
CUSTOMER DRAWING			